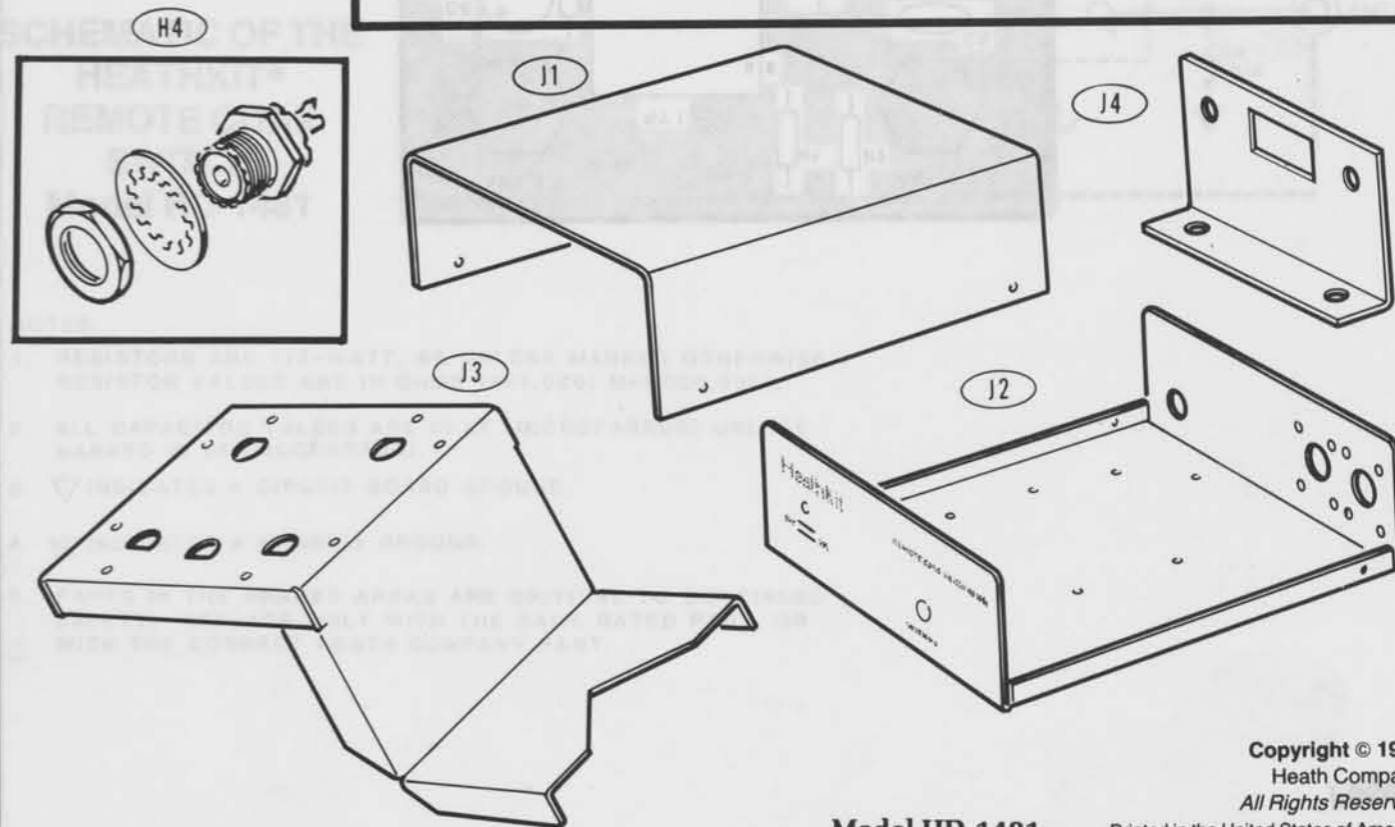
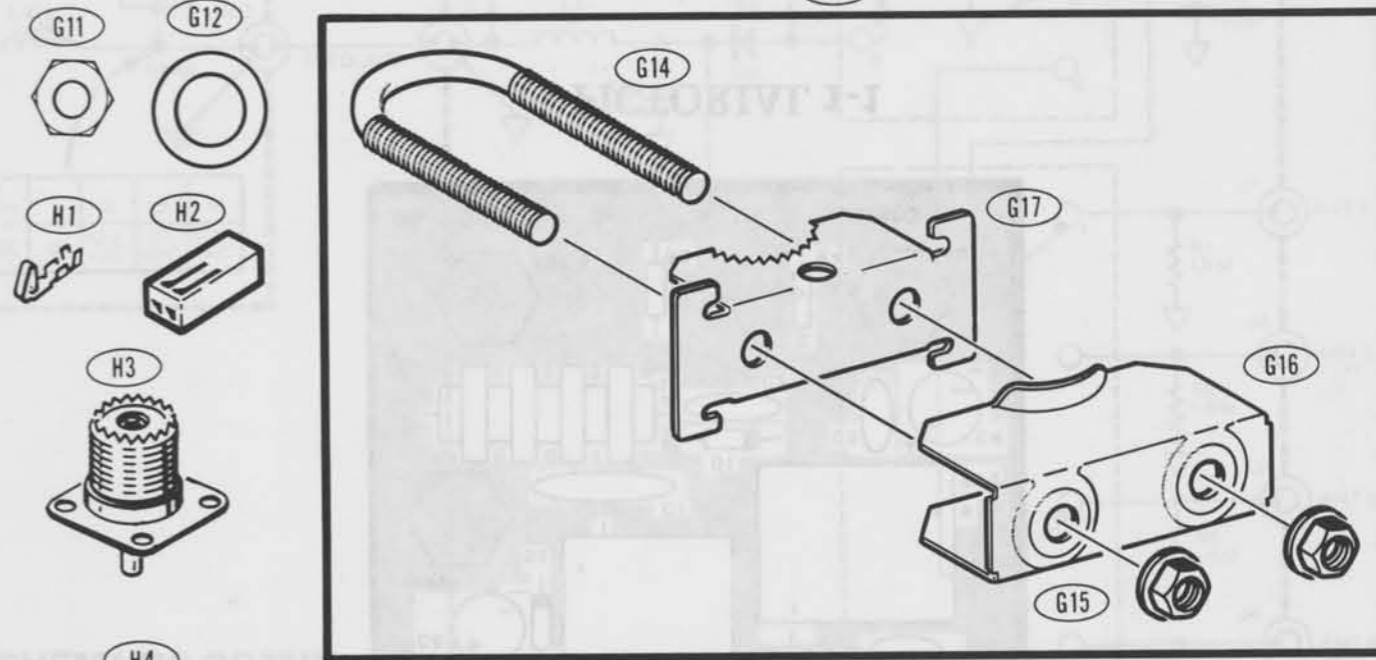
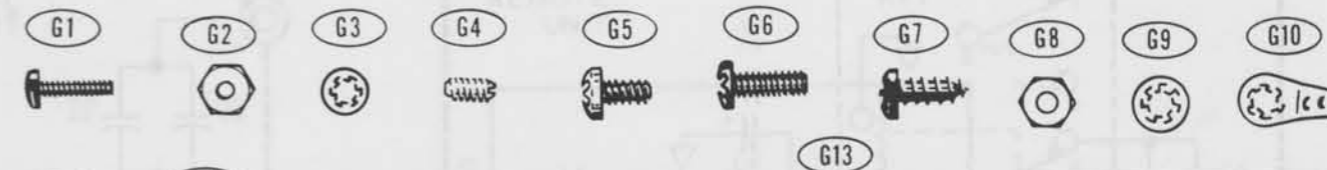
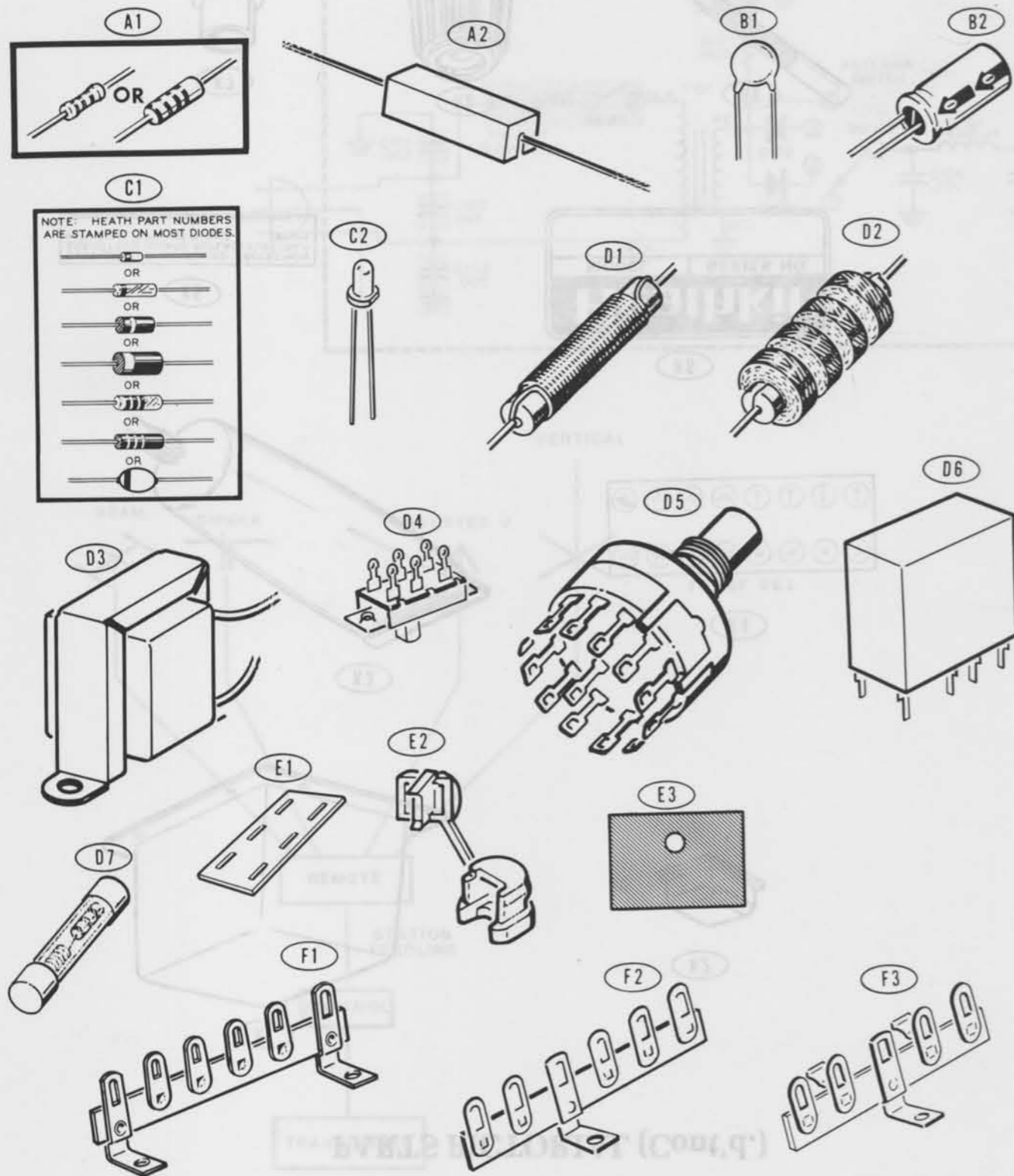


ILLUSTRATION BOOKLET

Part of 595-3189

PARTS PICTORIAL

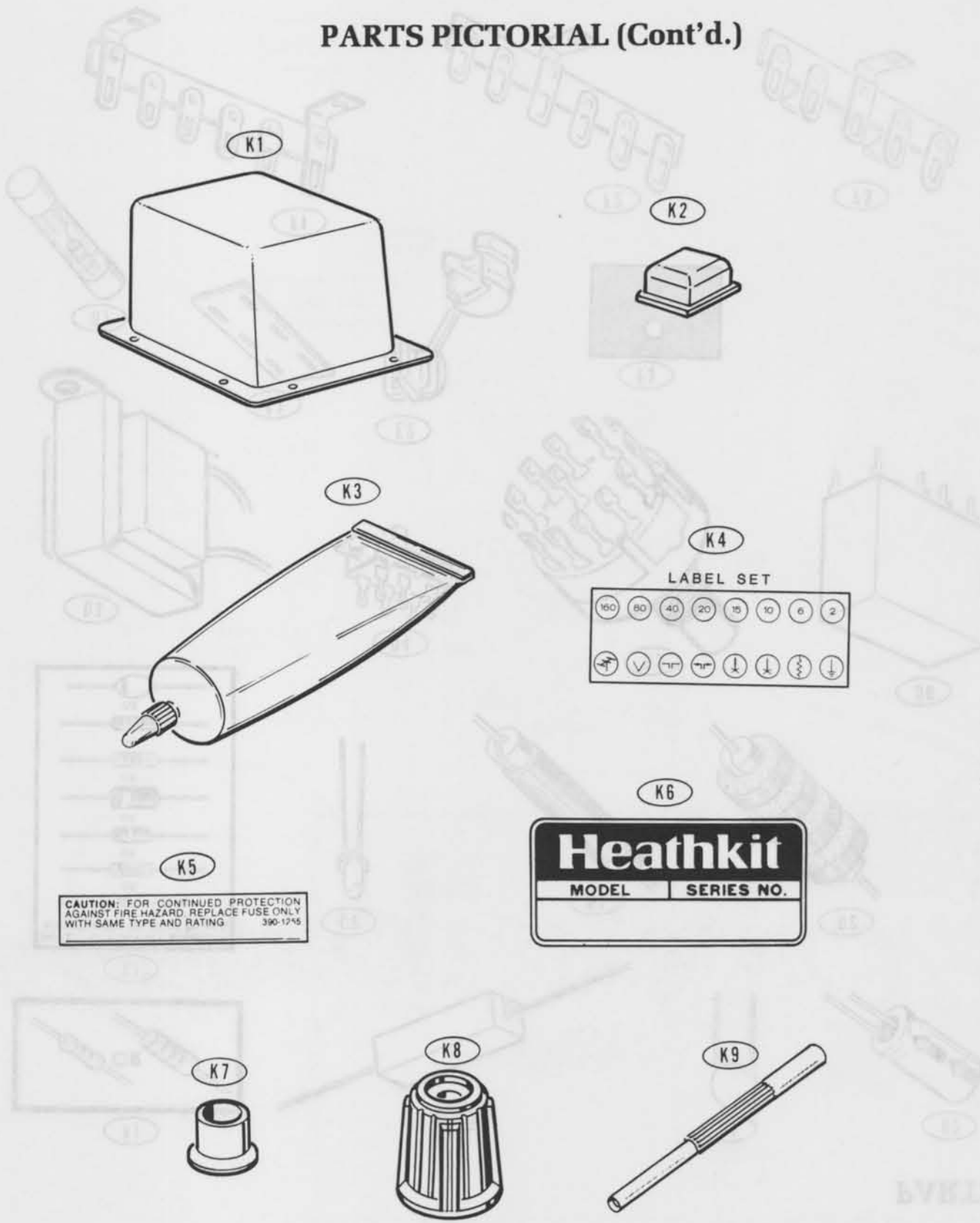


Copyright © 1984
Heath Company
All Rights Reserved

Model HD-1481

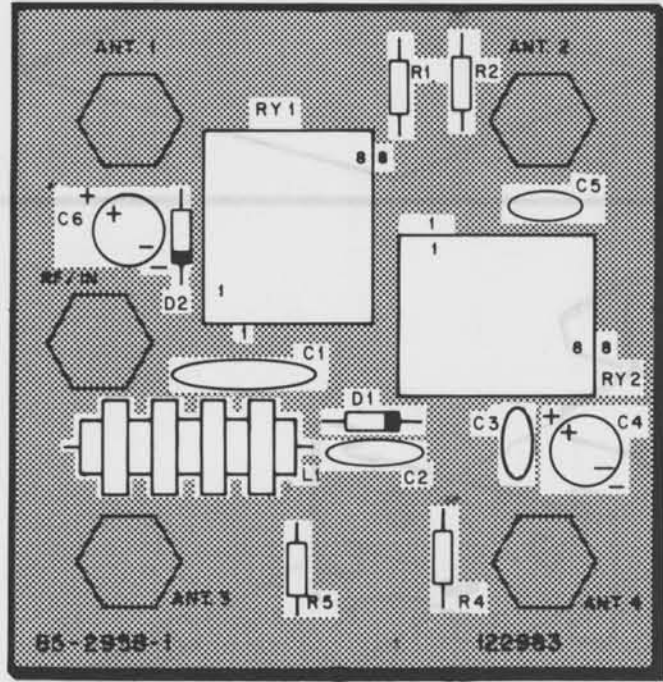
Printed in the United States of America

PARTS PICTORIAL (Cont'd.)



CAUTION: FOR CONTINUED PROTECTION AGAINST FIRE HAZARD, REPLACE FUSE ONLY WITH SAME TYPE AND RATING. 390-12*5

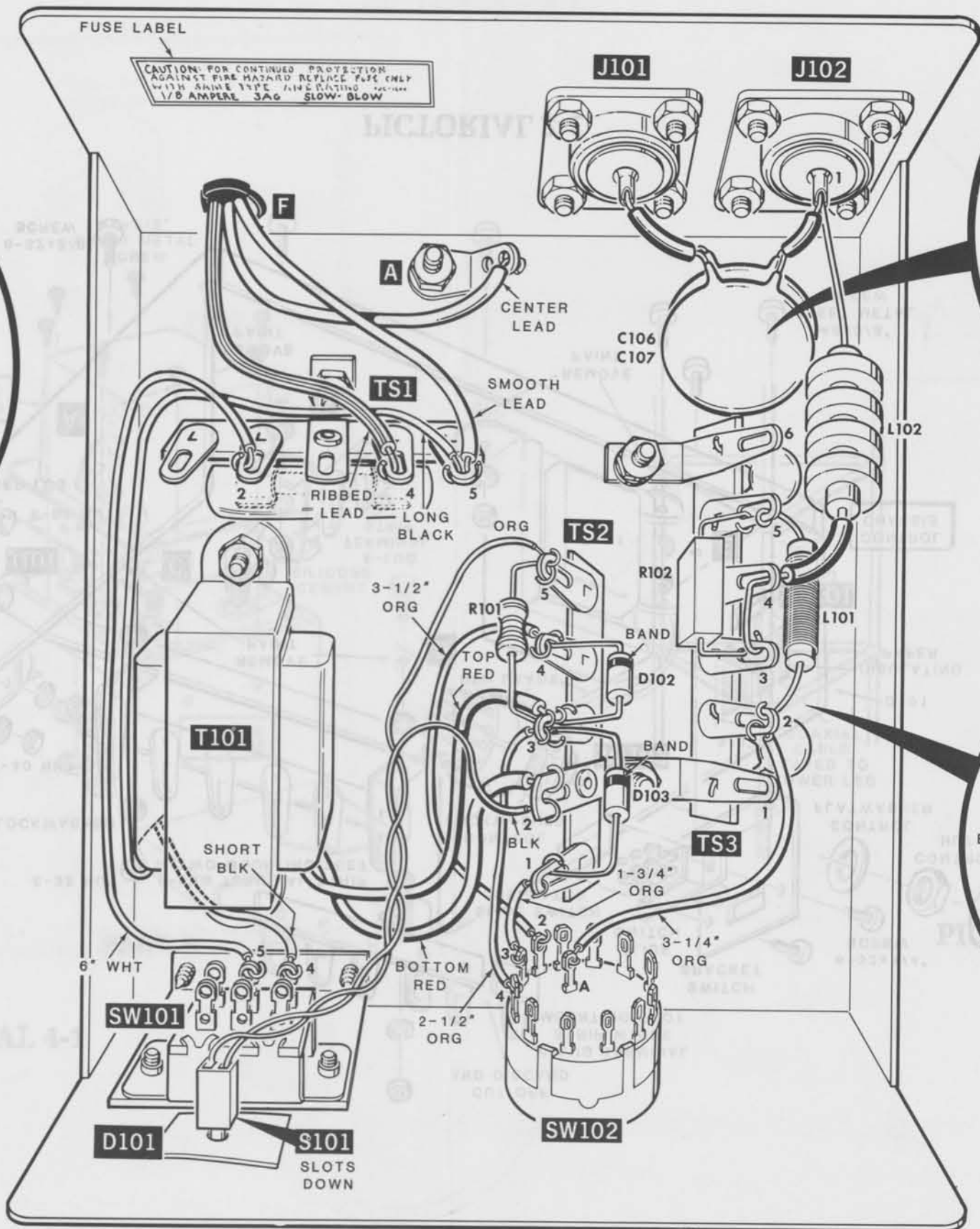
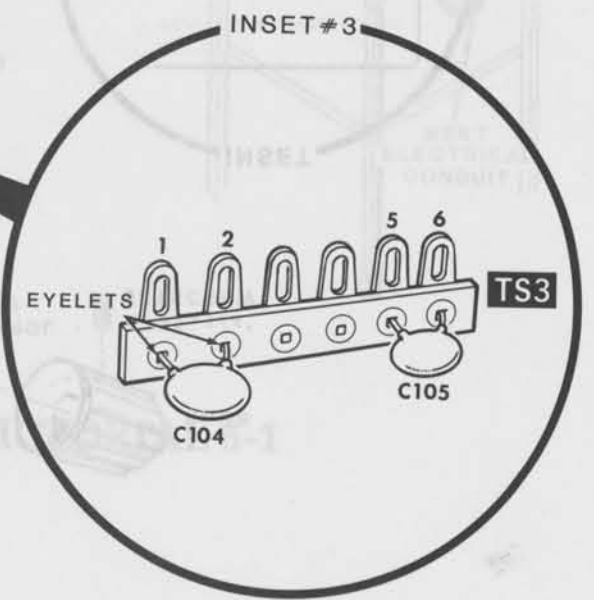
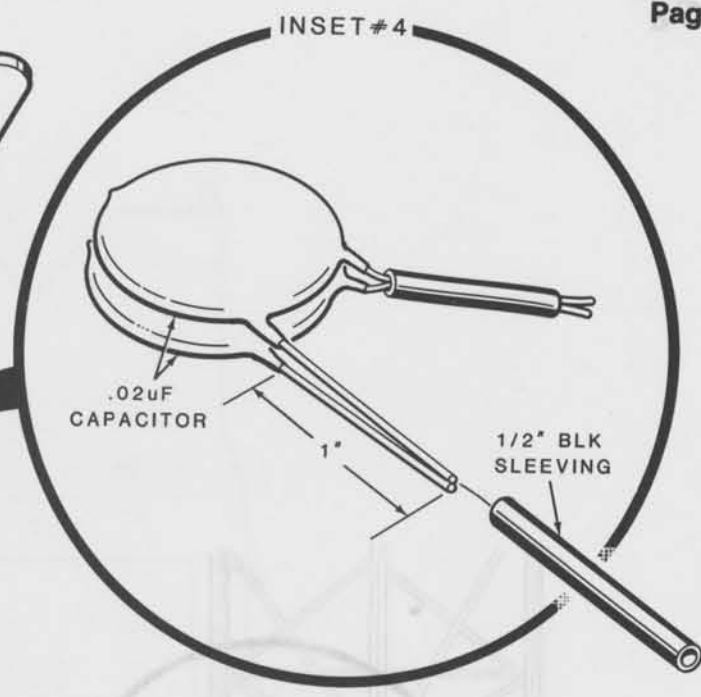
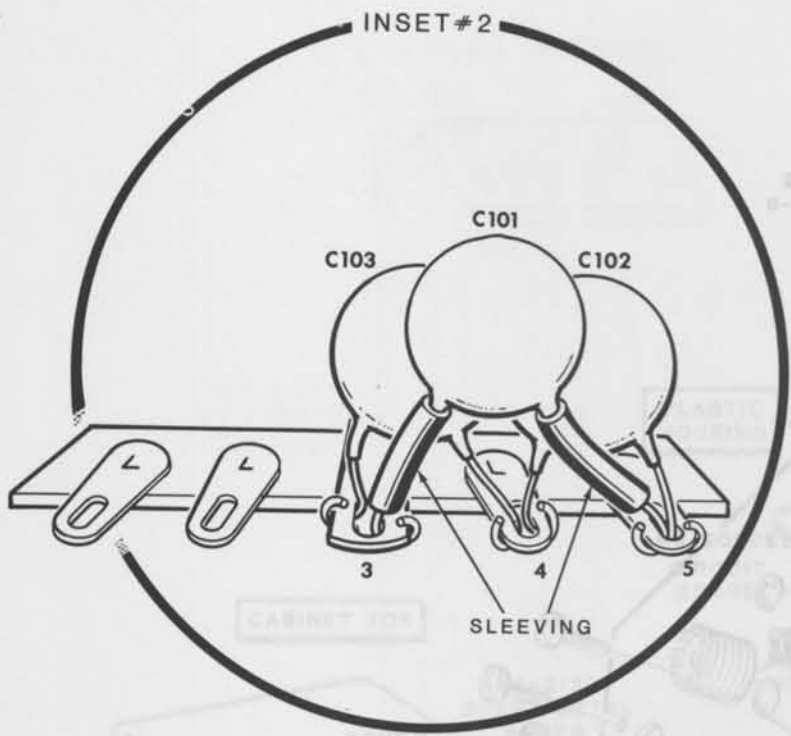
Heathkit
 MODEL SERIES NO.



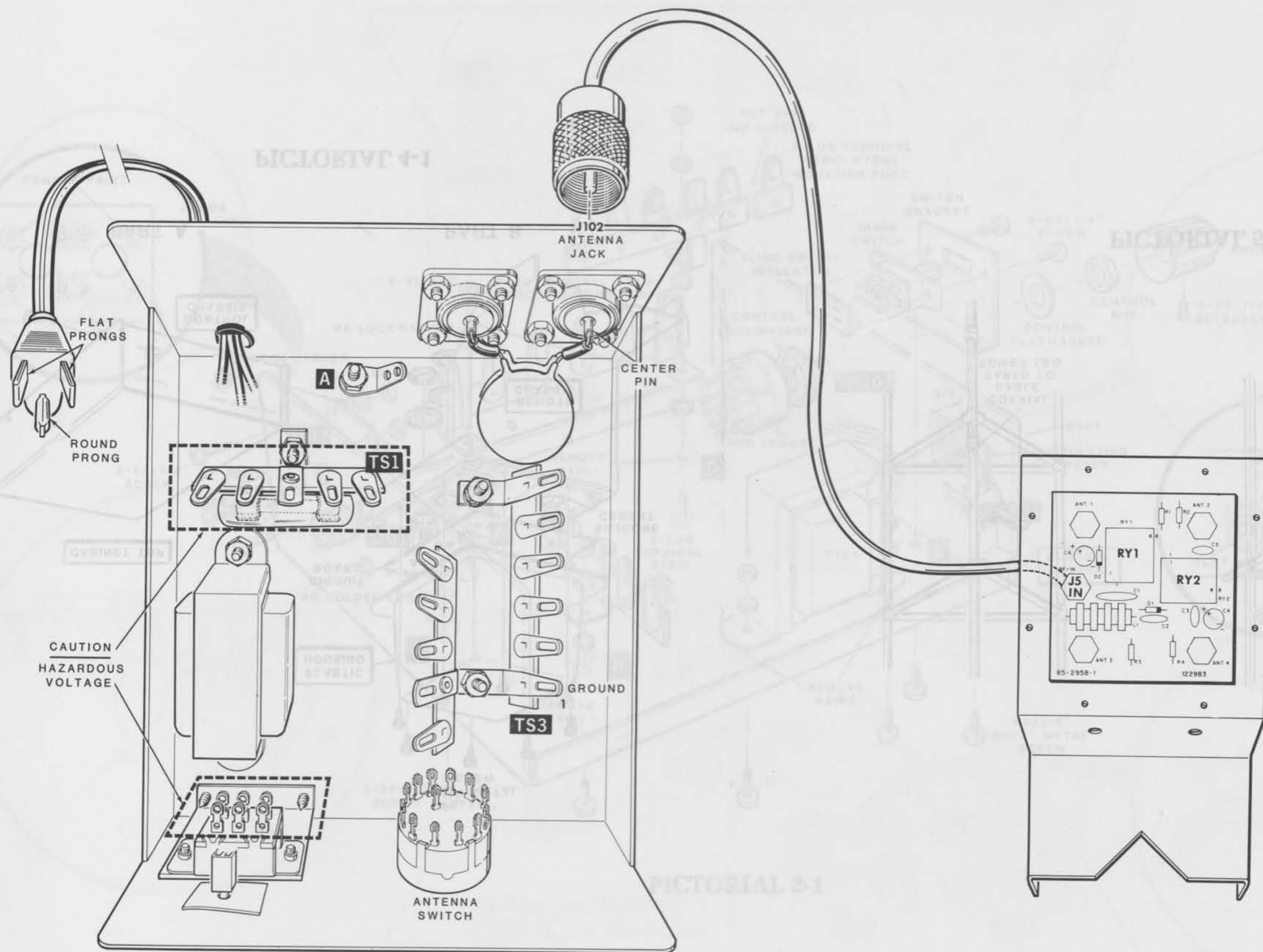
PICTORIAL 1-1

FUSE LABEL

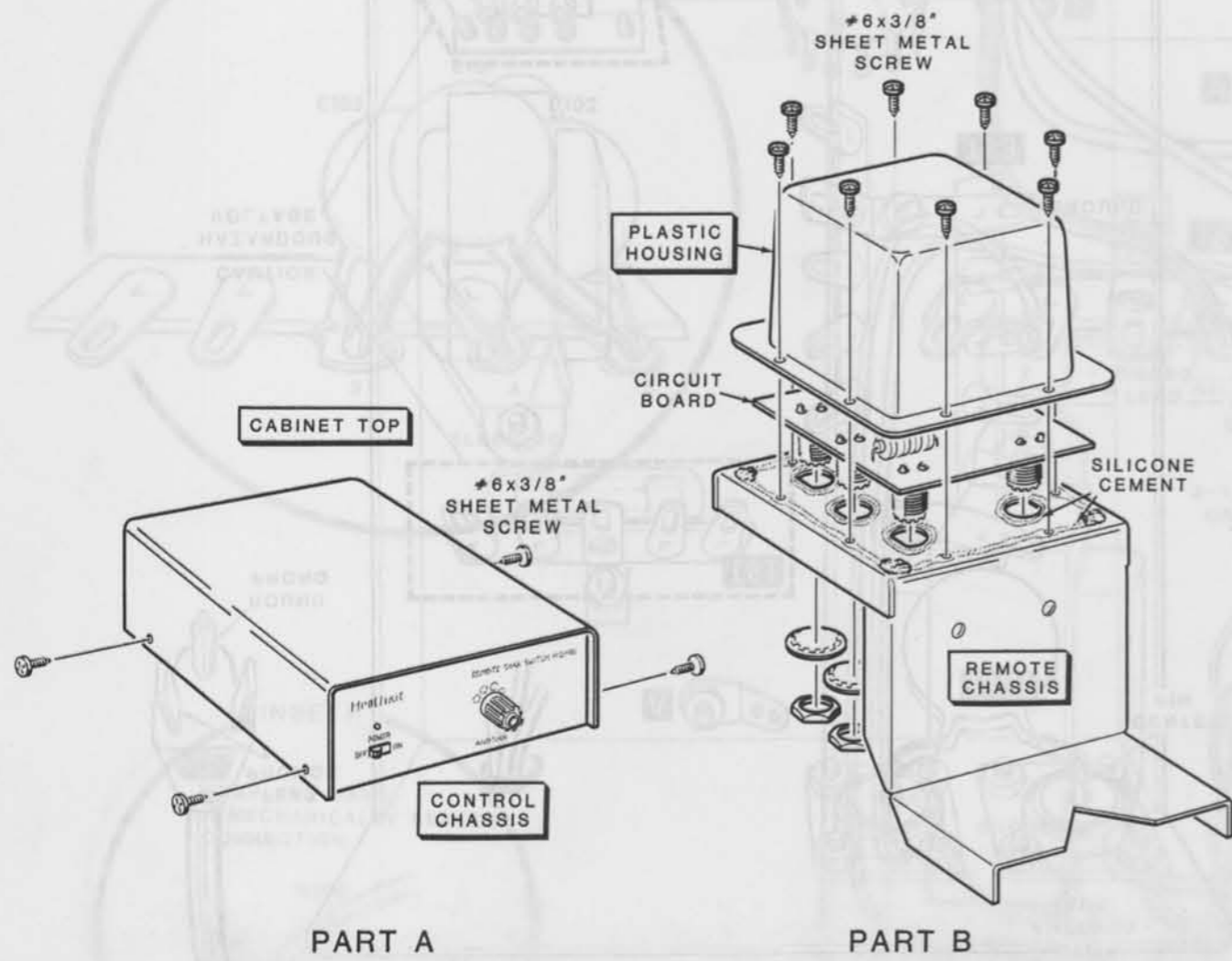
CAUTION: FOR CONTINUED PROTECTION AGAINST FIRE HAZARD REPLACE FUSE ONLY WITH SAME TYPE /LINE RATING 1/8 AMPERE 3AG SLOW-BLOW



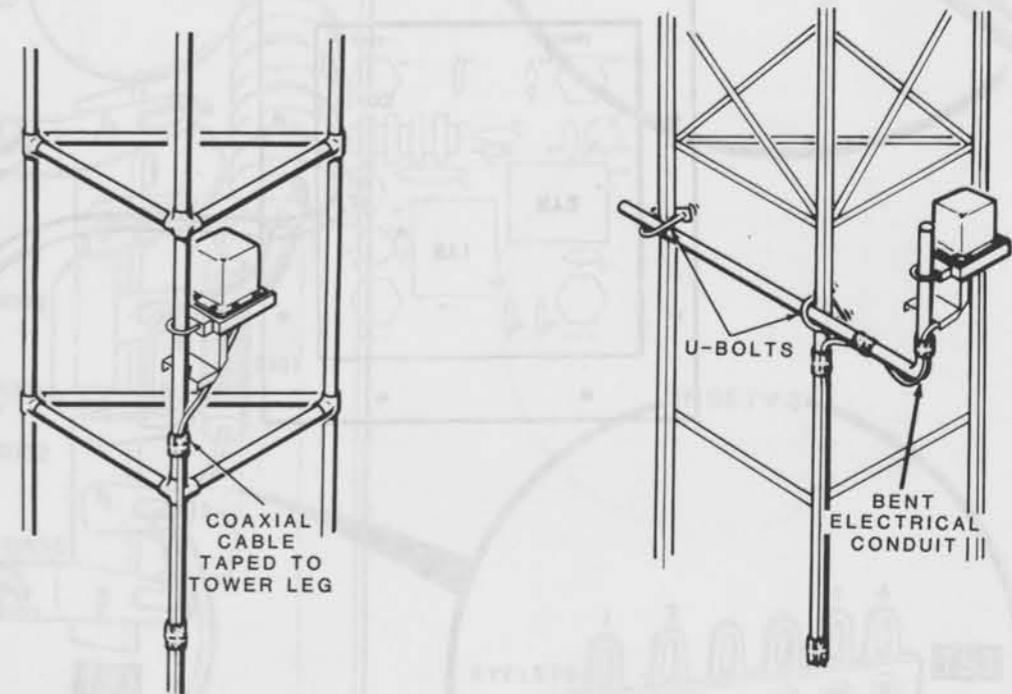
PICTORIAL 2-2



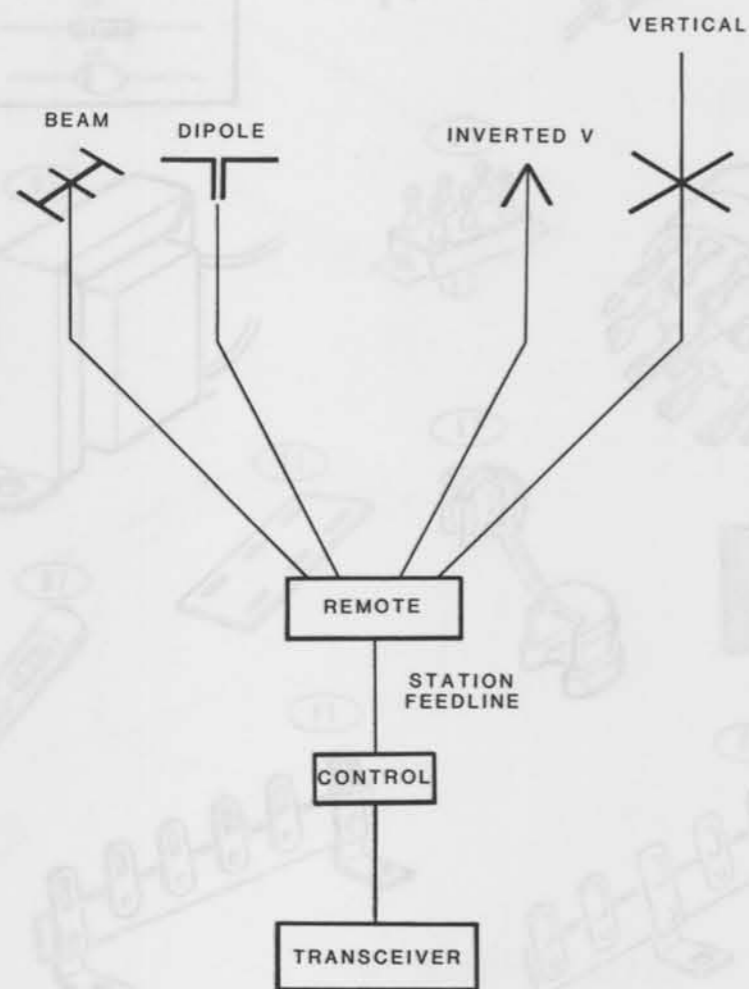
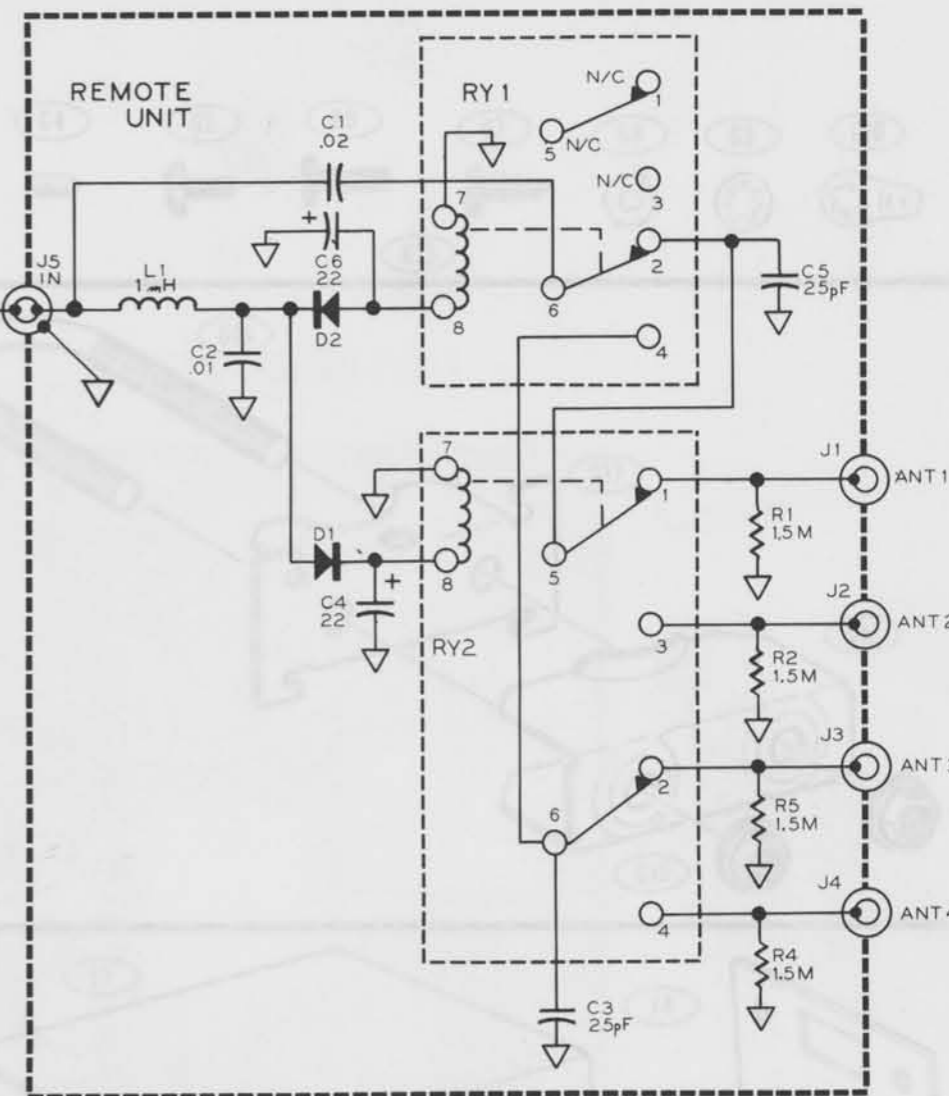
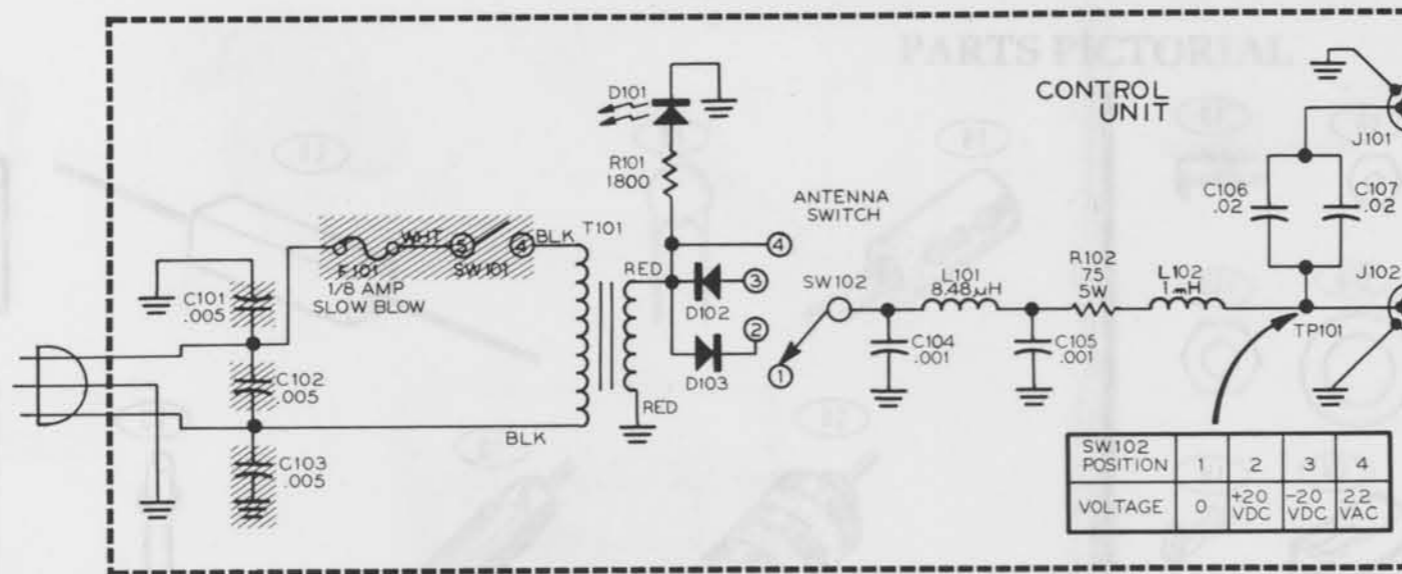
PICTORIAL 3-1



PICTORIAL 4-1



PICTORIAL 5-1



BLOCK DIAGRAM

**SCHEMATIC OF THE
HEATHKIT®
REMOTE COAX
SWITCH
Model HD-1481**

NOTES:

1. RESISTORS ARE 1/2-WATT, 5% UNLESS MARKED OTHERWISE. RESISTOR VALUES ARE IN OHMS (K=1,000; M=1,000,000).
2. ALL CAPACITOR VALUES ARE IN μ F (MICROFARADS) UNLESS MARKED IN pF (PICOFARADS).
3. ∇ INDICATES A CIRCUIT BOARD GROUND.
4. \equiv INDICATES A CHASSIS GROUND.
5. PARTS IN THE SHADED AREAS ARE CRITICAL TO CONTINUED SAFETY. REPLACE ONLY WITH THE SAME RATED PART, OR WITH THE CORRECT HEATH COMPANY PART.